

## Pot burner BIC..P

Product brochure · GB  
7 Edition 10.08



krom  
schroder

- Option for adaptation to any pot
- Minimised installation costs since the unit is simply hooked in place
- Option for conversion while retaining existing control, even group-by-group
- Directly interchangeable with gas lances
- Long service life thanks to stainless steel burner components
- With integrated gas measuring orifice and gas flow rate restrictor
- Capacity levels: 40 kW to 180 kW
- Direct ignition and ionisation control
- Maintenance-friendly due to replaceable electrodes and burner tubes

## Application

The pot burner is suitable for overhead firing of tunnel kilns in the ceramics industry.

The burner is available for many pot cover sizes and kiln roof thicknesses with required burner capacity and flow velocity adapted to the individual application.

It can be hooked with the pot housing into the pot without major effort.

The pot burner can be fitted directly in place of gas lances. The electrodes and burner tubes are replaceable.

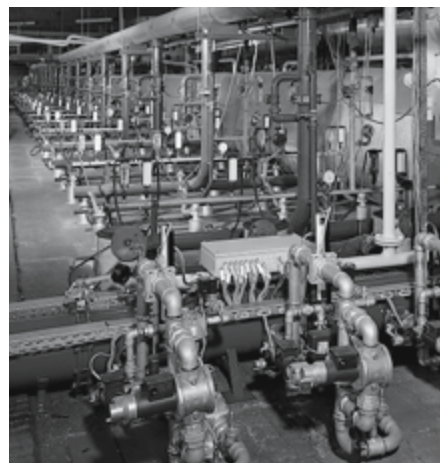


*BIC..P, SLG, TSC*

*Pot burner comprising burner BIC..P with pot housing SLG and ceramic tube TSC*

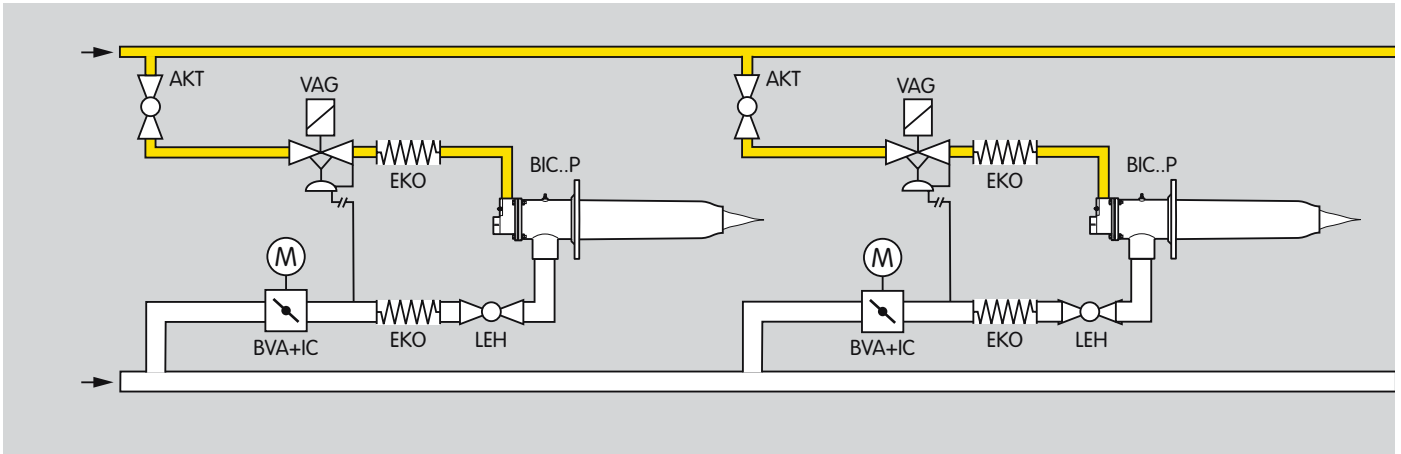


*High-velocity ceiling burner*



*Overhead firing on an earthenware tunnel kiln*

Examples of application

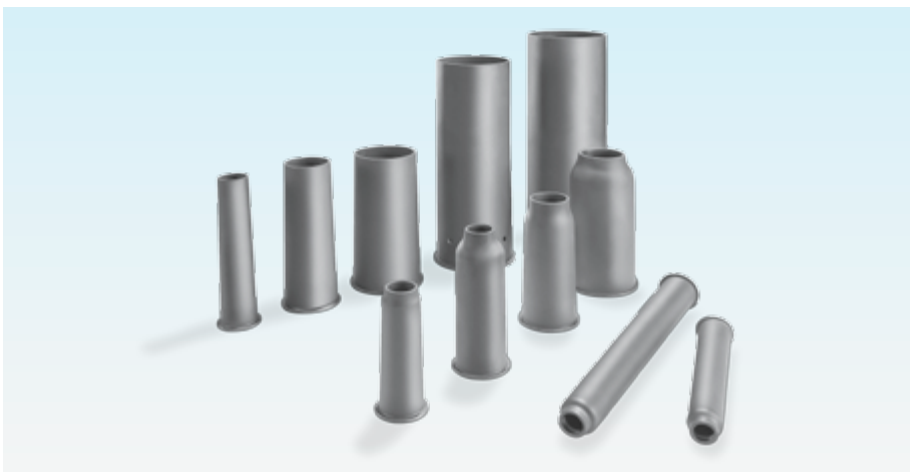


Staged control with pneumatic group

The high output pulse at the burner produces a uniform temperature distribution and good circulation of the kiln atmosphere. A pneumatic group offers maximum safety by an air deficiency cut-out and ensures a constant lambda value despite changing air pressures.

Legend

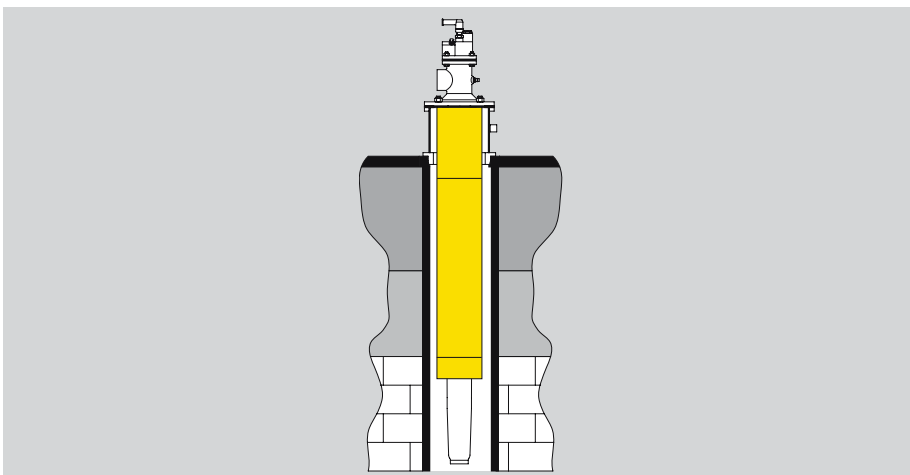
- AKT = Manual valve
- BCU = Burner control unit
- BIC..P = Pot burner
- BVA = Butterfly valve for air
- EKO = Stainless steel bellows unit
- IC = Actuator
- LEH = Flow adjusting cock
- VAG = Air/gas ratio control with solenoid valve



Accessories

Ceramic tube set TSC

A SiC ceramic tube in light-weight design serves as combustion chamber. The SiC tube ensures complete combustion so that no burner quarl is required.



Insulation kit

Long-life burner insulation system consisting of three shaped parts to protect burners against aggressive kiln atmospheres and thermal load. The shaped parts can directly be mounted on new burners or retrofitted to existing installations.

## Technical data

Modular construction consisting of burner BIC..P, pot housing RSG and ceramic tube set TSC.

Gas type: Natural gas, LPG, town gas; other gases on request.

Control: Staged.

Flame velocity: High to medium.

Most of the burner components are made of corrosion-resistant stainless steel.

Integrated flow measuring orifice on the gas side (except BIC 50..P).

Flame control: Direct ionisation control (UV control as an option).

Ignition: Direct, electrical (lance as an option).

Max. kiln temperature: Approx. 1450°C.

Burner length increments: 100 mm.

Pot housing dimensions on request.

Burner	Burner capacity [kW]									
	Shape, outlet diameter of ceramic tube									
	B028	B033	A035	B040	A048	B050	A064	B065	A082	
BIC 50	30	-	35	-	-	-	-	-	-	-
BIC 65	-	50	-	60	70	-	-	-	-	-
BIC 80	-	-	-	90	-	105	120	-	-	-
BIC 100	-	-	-	-	-	-	-	160	180	-

## Maintenance cycles

Once per year, but if the media are highly contaminated, this interval should be reduced.

## Type code

### Pot burner BIC..P

Code	Description
BIC	Burners for gas
50-100	Burner size
R	Flame shape: short long
H	
B	Gas type: Natural gas Town gas
D	
M	Butane, propane, propane/butane
-400 -500 -600 ...	Length of burner extension
/435- /535- /635- ...	Position of burner head
(l)-(99)	Burner head identifier
A-Z	Construction stage
P	Pot burner

### Ceramic tube set TSC for BIC..P

Code	Description
TSC	Ceramic tube set
50-100	Designed for burner size
A	Shape: cylindrical tapered
B	
020, 033, 035, 040, 048, 050, 064, 065, 082	Outlet dia. [mm]
-200, -300	Tube length [mm]
/35- /135-	Position of burner head
Si-1500	Ceramic tube material

## Detailed information on this product

## Contact

[www.kromschroeder.com](http://www.kromschroeder.com) → Sales

Elster GmbH  
Postfach 2809 · 49018 Osnabrück  
Strothweg 1 · 49504 Lotte (Büren)  
Germany

T +49 541 1214-0  
F +49 541 1214-370  
info@kromschroeder.com  
[www.kromschroeder.com](http://www.kromschroeder.com)

We reserve the right to make technical modifications in the interests of progress.  
Copyright © 2015 Elster GmbH  
All rights reserved.

